



G3
G3

ELECTRIC UTILITY VEHICLE

TIPPER



100% electric

0g of CO₂/km



SPECIFICATIONS

- For the vehicle, refer to the chassis sheet
- Maximum payload on the deck from 500 up to 700 kg
- Aluminium deck
- Lifted by hydraulic cylinder. Safety device : no return valve and safety stand in upper position
- 3 dropsides deck

OPTIONS



Cage



Canvas on cage



Electric watering
and spraying system



Electric
high pressure cleaner

*according to the battery

www.goupil-industrie.eu

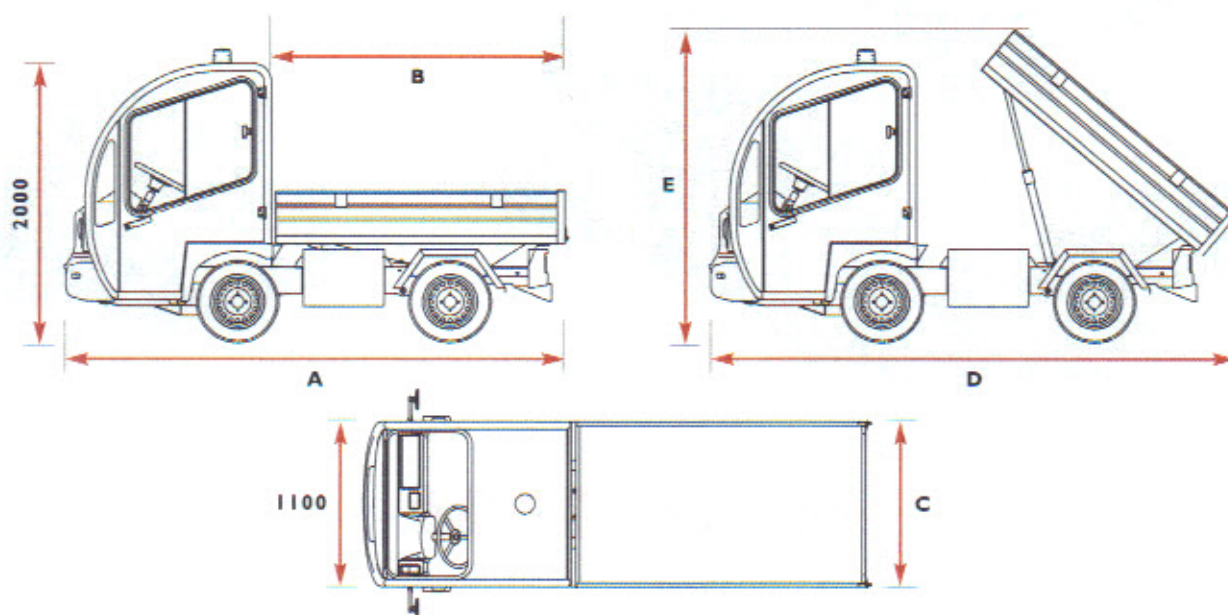
TIPPER

OTHER VERSION



Wide tipper 1,25m usable width

DIMENSIONS



	Short version G3-S	Long version G3-L
	<p>Vehicle</p> <p>Length (A) : 3 370 mm Length tipped (D) : 3 510 mm Height tipped (E) : 2 130 mm</p>	<p>Vehicle</p> <p>Length (A) : 3 870 mm Length tipped (D) : 4 010 mm Height tipped (E) : 2 410 mm</p>
Standard version	<p>Tipper</p> <p>Usable length (B) : 1 865 mm Usable width (C) : 1 035 mm Superficie : 1,93 m²</p>	<p>Tipper</p> <p>Usable length (B) : 2 365 mm Usable width (C) : 1 035 mm Superficie : 2,45 m²</p>
Wide version	<p>Tipper</p> <p>Usable length (B) : 1 865 mm Usable width (C) : 1 250 mm Superficie : 2,33 m²</p>	<p>Tipper</p> <p>Usable length (B) : 2 365 mm Usable width (C) : 1 250 mm Superficie : 2,96 m²</p>